



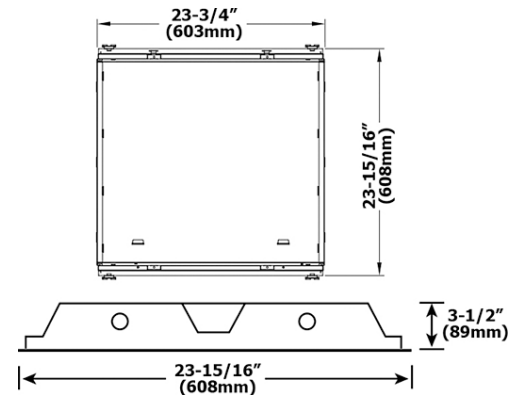
Projects:

Comments:

2x2 LED CLASSIC TROFFER, RECESSED MOUNT, 18 WATTS

SPECIFICATIONS:

WATTAGE:	18W
MODEL #:	TLN22-R-18W
LISTINGS	UL, cUL, DLC, ARRA, CE, RoHS, TUV, FCC
VOLTAGE:	AC100-277V
POWER FACTOR:	>0.95
FREQUENCY:	50-60Hz
LUMENS:	2,550 Lumens
LUMENS EFFICACY:	>130 Lm/W
KELVIN (CCT):	5000K & 4000K (3500K & 3000K Optional)
THD:	<20%
CRI:	>83
USE:	Indoor Use, Dry or Damp Location
BEAM ANGLE (SPREAD):	150°
MOUNTING:	Recessed 2x2 Grid Ceiling, Drywall Flange Kit Optional
HOUSING:	Die formed, cold rolled heavy gauge steel
LENS:	Acrylic Clear Prismatic #12 Standard
LED LIGHT COMPONENTS:	Replaceable & Upgradeable!
LIFE SPAN (HOURS):	100,000H
DIMMING COMPATIBLE:	Optional. Consult Factory.
LENGTH OF WARRANTY (YEARS):	5 YEARS
WORKING ENVIRONMENT:	-45°C to +50°C (-49°F to +122°F)
SUGGESTED REPLACEMENT FOR:	34 Watt CFL
POWER EFFICIENCY:	>90%
PERCENTAGE OF WATTAGE SAVED:	50%



Features:

Die formed, cold-rolled, heavy gauge steel housing provides durability and strength; Standard steel door frame allows for easy, tool-free lens replacement; Smooth edges for easy handling; Finished with high-gloss baked white enamel over rust inhibiting phosphate coating for maximum corrosion resistance; Compatible with most ceiling types; Assembled in the USA; ARRA Compliant; Replace / upgrade LED's without replacing entire fixture! Lens, wire guard & spring-loaded latches available.

Applications:

Offices, Hospitality, Hospitals, Retail, Schools, Education Facilities, etc.





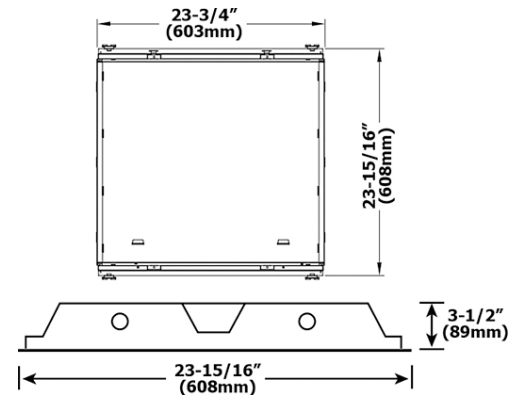
Projects:

Comments:

2x2 LED CLASSIC TROFFER, RECESSED MOUNT, 22 WATTS

SPECIFICATIONS:

WATTAGE:	22W
MODEL #:	TLN22-R-22W
LISTINGS	UL, cUL, DLC, ARRA, CE, RoHS, TUV, FCC
VOLTAGE:	AC100-277V
POWER FACTOR:	>0.95
FREQUENCY:	50-60Hz
LUMENS:	3,000 Lumens
LUMENS EFFICACY:	>130 Lm/W
KELVIN (CCT):	5000K & 4000K (3500K & 3000K Optional)
THD:	<20%
CRI:	>83
USE:	Indoor Use, Dry or Damp Location
BEAM ANGLE (SPREAD):	150°
MOUNTING:	Recessed 2x2 Grid Ceiling, Drywall Flange Kit Optional
HOUSING:	Die formed, cold rolled heavy gauge steel
LENS:	Acrylic Clear Prismatic #12 Standard
LED LIGHT COMPONENTS:	Replaceable & Upgradeable!
LIFE SPAN (HOURS):	100,000H
DIMMING COMPATIBLE:	Optional. Consult Factory.
LENGTH OF WARRANTY (YEARS):	5 YEARS
WORKING ENVIRONMENT:	-45°C to +50°C (-49°F to +122°F)
SUGGESTED REPLACEMENT FOR:	40 Watt CFL
POWER EFFICIENCY:	>90%
PERCENTAGE OF WATTAGE SAVED:	50%



Features:

Die formed, cold-rolled, heavy gauge steel housing provides durability and strength; Standard steel door frame allows for easy, tool-free lens replacement; Smooth edges for easy handling; Finished with high-gloss baked white enamel over rust inhibiting phosphate coating for maximum corrosion resistance; Compatible with most ceiling types; Assembled in the USA; ARRA Compliant; Replace / upgrade LED's without replacing entire fixture! Lens, wire guard & spring-loaded latches available.

Applications:

Offices, Hospitality, Hospitals, Retail, Schools, Education Facilities, etc.





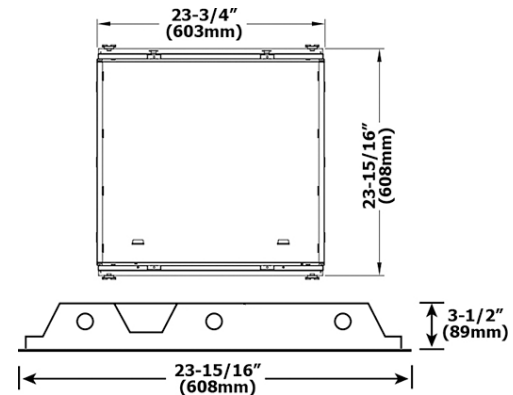
Projects:

Comments:

2x2 LED CLASSIC TROFFER, RECESSED MOUNT, 27 WATTS

SPECIFICATIONS:

WATTAGE:	27W
MODEL #:	TLN22-R-27W
LISTINGS	UL, cUL, DLC, ARRA, CE, RoHS, TUV, FCC
VOLTAGE:	AC100-277V
POWER FACTOR:	>0.95
FREQUENCY:	50-60Hz
LUMENS:	3,825 Lumens
LUMENS EFFICACY:	>130 Lm/W
KELVIN (CCT):	5000K & 4000K (3500K & 3000K Optional)
THD:	<20%
CRI:	>83
USE:	Indoor Use, Dry or Damp Location
BEAM ANGLE (SPREAD):	150°
MOUNTING:	Recessed 2x2 Grid Ceiling, Drywall Flange Kit Optional
HOUSING:	Die formed, cold rolled heavy gauge steel
LENS:	Acrylic Clear Prismatic #12 Standard
LED LIGHT COMPONENTS:	Replaceable & Upgradeable!
LIFE SPAN (HOURS):	100,000H
DIMMING COMPATIBLE:	Optional. Consult Factory.
LENGTH OF WARRANTY (YEARS):	5 YEARS
WORKING ENVIRONMENT:	-45°C to +50°C (-49°F to +122°F)
SUGGESTED REPLACEMENT FOR:	51 Watt CFL
POWER EFFICIENCY:	>90%
PERCENTAGE OF WATTAGE SAVED:	50%



Features:

Die formed, cold-rolled, heavy gauge steel housing provides durability and strength; Standard steel door frame allows for easy, tool-free lens replacement; Smooth edges for easy handling; Finished with high-gloss baked white enamel over rust inhibiting phosphate coating for maximum corrosion resistance; Compatible with most ceiling types; Assembled in the USA; ARRA Compliant; Replace / upgrade LED's without replacing entire fixture! Lens, wire guard & spring-loaded latches available.

Applications:

Offices, Hospitality, Hospitals, Retail, Schools, Education Facilities, etc.





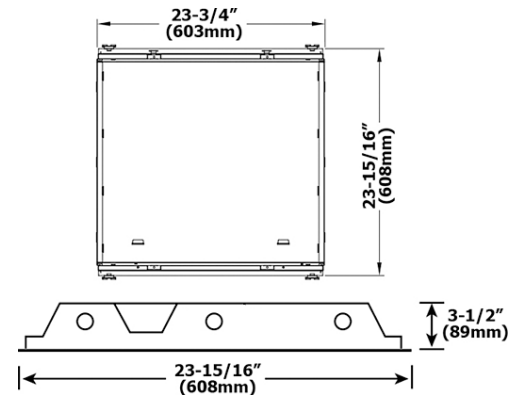
Projects:

Comments:

2x2 LED CLASSIC TROFFER, RECESSED MOUNT, 33 WATTS

SPECIFICATIONS:

WATTAGE:	33W
MODEL #:	TLN22-R-33W
LISTINGS	UL, cUL, DLC, ARRA, CE, RoHS, TUV, FCC
VOLTAGE:	AC100-277V
POWER FACTOR:	>0.95
FREQUENCY:	50-60Hz
LUMENS:	4,500 Lumens
LUMENS EFFICACY:	>130 Lm/W
KELVIN (CCT):	5000K & 4000K (3500K & 3000K Optional)
THD:	<20%
CRI:	>83
USE:	Indoor Use, Dry or Damp Location
BEAM ANGLE (SPREAD):	150°
MOUNTING:	Recessed 2x2 Grid Ceiling, Drywall Flange Kit Optional
HOUSING:	Die formed, cold rolled heavy gauge steel
LENS:	Acrylic Clear Prismatic #12 Standard
LED LIGHT COMPONENTS:	Replaceable & Upgradeable!
LIFE SPAN (HOURS):	100,000H
DIMMING COMPATIBLE:	Optional. Consult Factory.
LENGTH OF WARRANTY (YEARS):	5 YEARS
WORKING ENVIRONMENT:	-45°C to +50°C (-49°F to +122°F)
SUGGESTED REPLACEMENT FOR:	60 Watt CFL
POWER EFFICIENCY:	>90%
PERCENTAGE OF WATTAGE SAVED:	50%



Features:

Die formed, cold-rolled, heavy gauge steel housing provides durability and strength; Standard steel door frame allows for easy, tool-free lens replacement; Smooth edges for easy handling; Finished with high-gloss baked white enamel over rust inhibiting phosphate coating for maximum corrosion resistance; Compatible with most ceiling types; Assembled in the USA; ARRA Compliant; Replace / upgrade LED's without replacing entire fixture! Lens, wire guard & spring-loaded latches available.

Applications:

Offices, Hospitality, Hospitals, Retail, Schools, Education Facilities, etc.





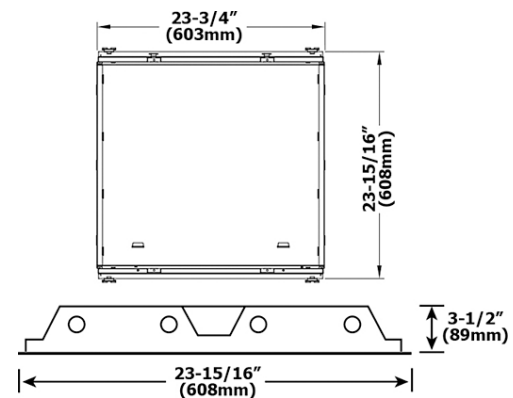
Projects:

Comments:

2x2 LED CLASSIC TROFFER, RECESSED MOUNT, 36 WATTS

SPECIFICATIONS:

WATTAGE:	36W
MODEL #:	TLN22-R-36W
LISTINGS	UL, cUL, DLC, ARRA, CE, RoHS, TUV, FCC
VOLTAGE:	AC100-277V
POWER FACTOR:	>0.95
FREQUENCY:	50-60Hz
LUMENS:	5,100 Lumens
LUMENS EFFICACY:	>130 Lm/W
KELVIN (CCT):	5000K & 4000K (3500K & 3000K Optional)
THD:	<20%
CRI:	>83
USE:	Indoor Use, Dry or Damp Location
BEAM ANGLE (SPREAD):	150°
MOUNTING:	Recessed 2x2 Grid Ceiling, Drywall Flange Kit Optional
HOUSING:	Die formed, cold rolled heavy gauge steel
LENS:	Acrylic Clear Prismatic #12 Standard
LED LIGHT COMPONENTS:	Replaceable & Upgradeable!
LIFE SPAN (HOURS):	100,000H
DIMMING COMPATIBLE:	Optional. Consult Factory.
LENGTH OF WARRANTY (YEARS):	5 YEARS
WORKING ENVIRONMENT:	-45°C to +50°C (-49°F to +122°F)
SUGGESTED REPLACEMENT FOR:	68 Watt CFL
POWER EFFICIENCY:	>90%
PERCENTAGE OF WATTAGE SAVED:	50%



Features:

Die formed, cold-rolled, heavy gauge steel housing provides durability and strength; Standard steel door frame allows for easy, tool-free lens replacement; Smooth edges for easy handling; Finished with high-gloss baked white enamel over rust inhibiting phosphate coating for maximum corrosion resistance; Compatible with most ceiling types; Assembled in the USA; ARRA Compliant; Replace / upgrade LED's without replacing entire fixture! Lens, wire guard & spring-loaded latches available.

Applications:

Offices, Hospitality, Hospitals, Retail, Schools, Education Facilities, etc.





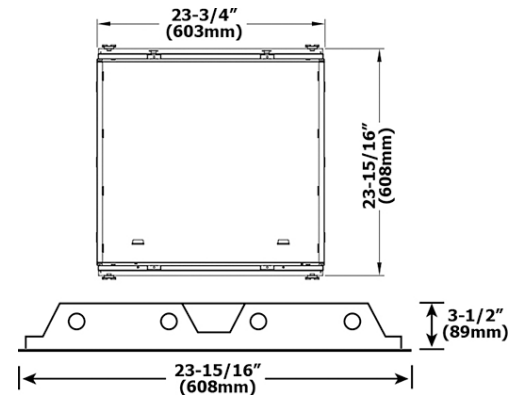
Projects:

Comments:

2x2 LED CLASSIC TROFFER, RECESSED MOUNT, 44 WATTS

SPECIFICATIONS:

WATTAGE:	44W
MODEL #:	TLN22-R-44W
LISTINGS	UL, cUL, DLC, ARRA, CE, RoHS, TUV, FCC
VOLTAGE:	AC100-277V
POWER FACTOR:	>0.95
FREQUENCY:	50-60Hz
LUMENS:	6,000 Lumens
LUMENS EFFICACY:	>130 Lm/W
KELVIN (CCT):	5000K & 4000K (3500K & 3000K Optional)
THD:	<20%
CRI:	>83
USE:	Indoor Use, Dry or Damp Location
BEAM ANGLE (SPREAD):	150°
MOUNTING:	Recessed 2x2 Grid Ceiling, Drywall Flange Kit Optional
HOUSING:	Die formed, cold rolled heavy gauge steel
LENS:	Acrylic Clear Prismatic #12 Standard
LED LIGHT COMPONENTS:	Replaceable & Upgradeable!
LIFE SPAN (HOURS):	100,000H
DIMMING COMPATIBLE:	Optional. Consult Factory.
LENGTH OF WARRANTY (YEARS):	5 YEARS
WORKING ENVIRONMENT:	-45°C to +50°C (-49°F to +122°F)
SUGGESTED REPLACEMENT FOR:	80 Watt CFL
POWER EFFICIENCY:	>90%
PERCENTAGE OF WATTAGE SAVED:	50%



Features:

Die formed, cold-rolled, heavy gauge steel housing provides durability and strength; Standard steel door frame allows for easy, tool-free lens replacement; Smooth edges for easy handling; Finished with high-gloss baked white enamel over rust inhibiting phosphate coating for maximum corrosion resistance; Compatible with most ceiling types; Assembled in the USA; ARRA Compliant; Replace / upgrade LED's without replacing entire fixture! Lens, wire guard & spring-loaded latches available.

Applications:

Offices, Hospitality, Hospitals, Retail, Schools, Education Facilities, etc.

