

# 3" IC LED NEW CONSTRUCTION RECESSED CAN SPECIFICATION SHEET

**SKU: 3RLNC**

This housing is designed for new construction installations and is suitable for use in ceilings where the housing can be direct contact with insulation. Air tight construction reduces energy costs by reducing the amount of air leakages through the ceiling.

**PLASTER FRAME**

- Galvanized steel construction. The housing can be removed from plaster frame to provide access to the junction box.

**JUNCTION BOX**

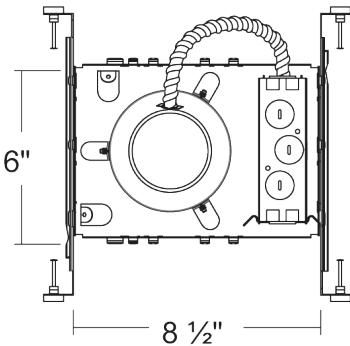
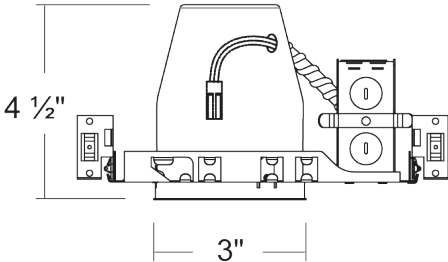
- Listed for through branch circuit wiring.
- Contains one 1-1/8", six 7/8" knockouts and four Romex pryouts with strainrelief.

**BAR HANGER**

- Pre-installed Real nail easily installs in regular lumber, engineered lumber.
- Bar Hangers are adjustable from 13-5/8" to 25" and can be repositioned 90 degree on plaster frame.

**LISTINGS**

- cULus Listed for Feed Through
- cULus Listed for Damp Location
- Certified under ASTM-E283 for Air tight construction
- Meets state of California title 24 requirement



Project:	
Contact:	
Location:	
Fixture Type:	

Quantity	Notes