

# MT100D-12VDC

## Magnetic Dimmable

Outdoor Black Powder Coated Steel Enclosure

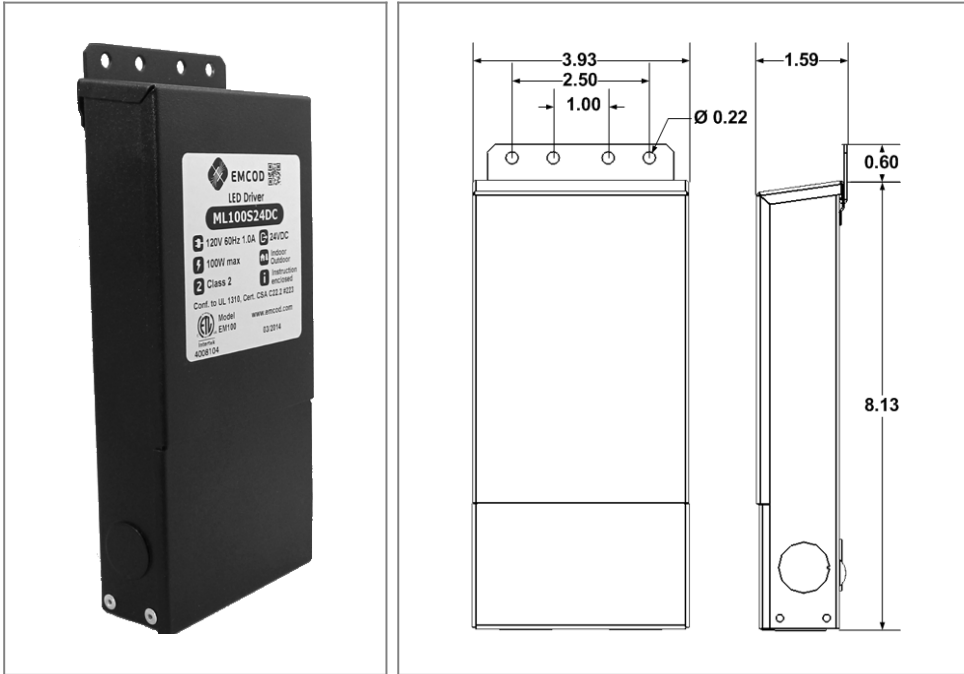
Single Circuit: **12VDC**

Total Wattage: **100W max**

Input Voltage: **120V 60Hz**



Conforms to UL STD. 1012  
Certified to CSA  
STD. C22.2 No 107.1  
model EM100



### Transformer

Dimmable with any LV magnetic dimmer as long as you cover dimmer's min load.

Temperature class B(130°C)

Input leads are 18AWG 600V

Output leads are 18AWG 300V

Leads max. operational temperature is 105°C

Thermal self reset primary breaker 2A

Thermal self reset secondary breaker 13A

### Housing

The actual transformer 100W is encapsulated in the enclosure

The enclosure is Black Powder Coated Steel, NEMA 3R rated

Wiring compartment has 5 knockouts sizes for 3/8 inch screw cable connectors

Enclosure Temperature does not exceed 75°C at 45°C ambient and fully loaded

Dimensions (inch): H = 8.13, W = 3.93, D = 1.59

Weight (LBs): 0.4

### Electrical Parameters

Input Voltage: **120V 60Hz**

Max. input current at full load: **1.1A**

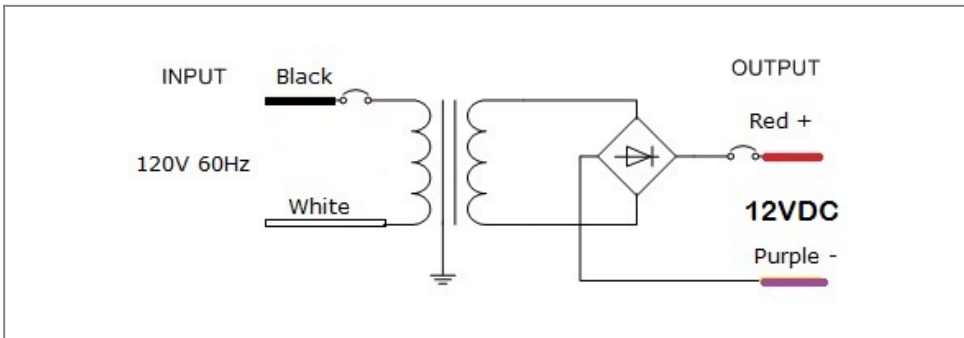
Output voltage without load: **13.6VDC**

Output voltage fully loaded: **11.5VDC**

Max. Total Wattage: **100W**

Max. Output Current: **8.3A**

Efficiency: **85%**



# MT100D-12VDC

## Magnetic Dimmable

Outdoor Black Powder Coated Steel Enclosure

Single Circuit: **12VDC**

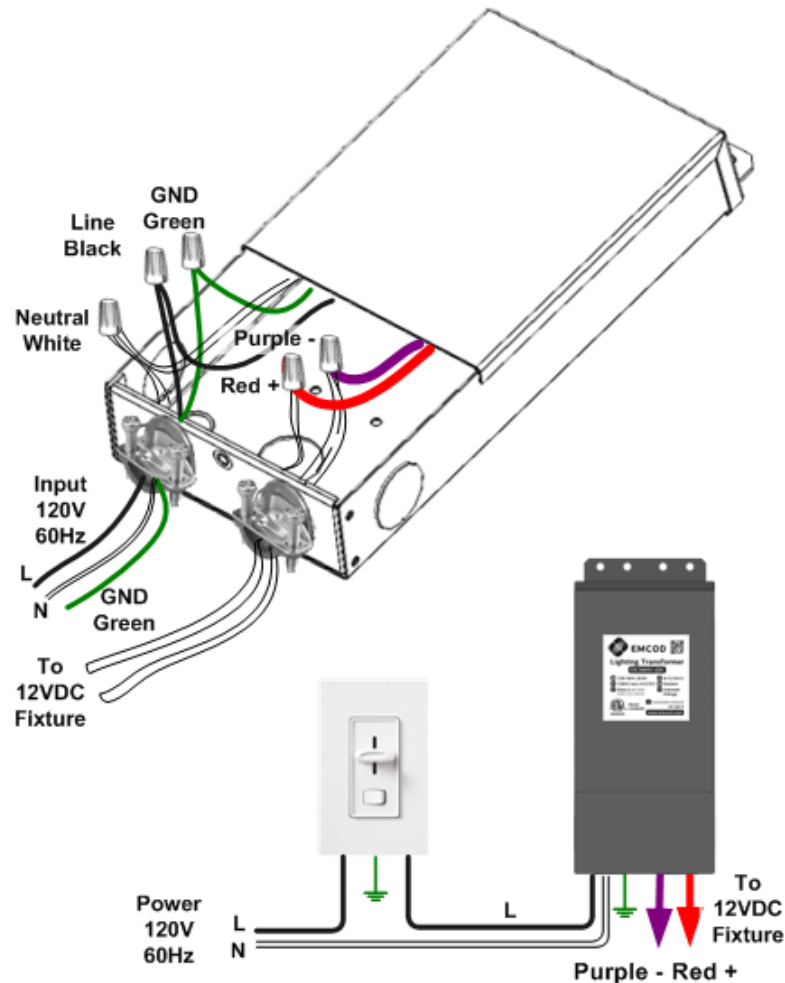
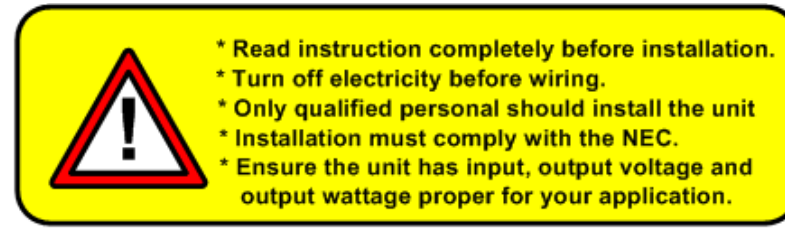
Total Wattage: **100W max**

Input Voltage: **120V 60Hz**



Conforms to UL STD. 1012  
Certified to CSA  
STD. C22.2 No 107.1  
model EM100

## Installation Instruction



### Mounting

The transformer must be mounted in at least 15" of a free flow air space for proper ventilation.

The transformer must never be mounted next to or above heat radiated objects.

The maximum ambient temperature should not exceed 50 deg. C (110 deg. F)

Attach mounting plate to the rigid vertical surface with a two screws. Hang transformer on the hook of the mounting plate vertically when installed outdoor. When mounting indoor the unit can be installed horizontally or horizontally- upside-down by using the third hole on the bottom.

### Connection

Open the wire compartment and remove knockouts for input and output, install strain reliefs (wire clamps). Use only right size and UL approved wire nuts.

### Input Connection

Bring your line and neutral wires through input strain relief and connect them to the Black and White transformers leads.

### Output Connection

Bring your lights wires through output strain relief and connect to the Red + and Purple - transformer leads. Make sure all your connection very tight

### Grounding

The core and coil assemblies are grounded to the enclosure. The enclosure in turn should be grounded in accordance with NEC and local code. Connect the transformer green wire to the ground.

# MT100D-24VDC

## Class 2 Magnetic Dimmable

Outdoor Black Powder Coated Steel Enclosure

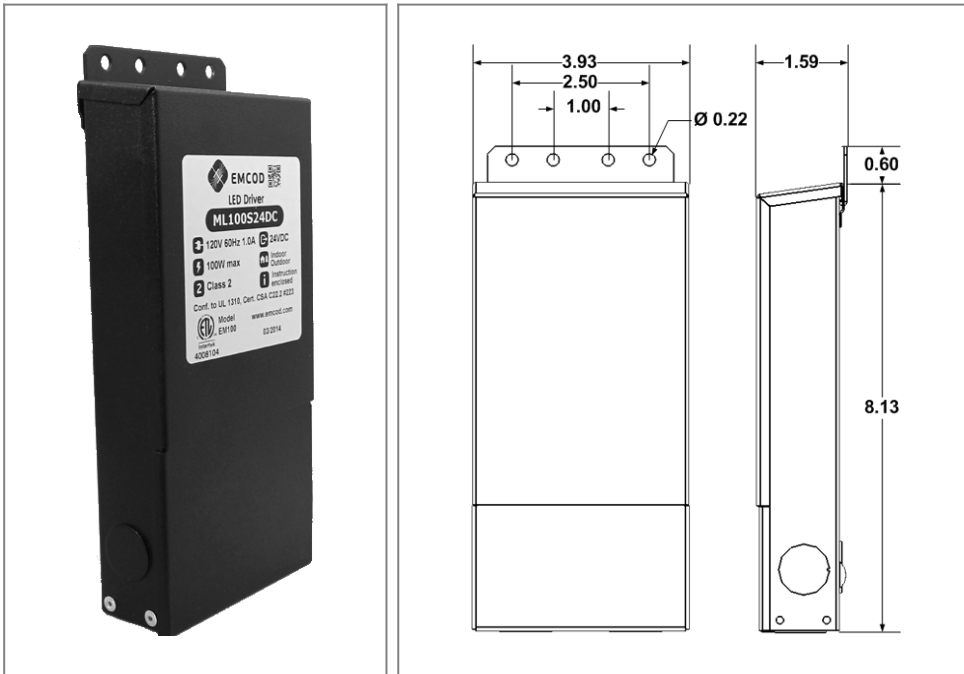
Single Circuit: **24VDC**

Total Wattage: **96W max**

Input Voltage: **120V 60Hz**



Conforms to UL STD. 1310  
Certified to CSA  
STD. C22.2 No 223  
model EM100



### Transformer

Dimmable with any LV magnetic dimmer as long as you cover dimmer's min load.

Temperature class B(130°C)

Input leads are 18AWG 600V

Output leads are 18AWG 300V

Leads max. operational temperature is 105°C

Thermal self reset primary breaker 2A

Thermal self reset secondary breaker 4A

### Housing

The actual transformer 96W is encapsulated in the enclosure

The enclosure is Black Powder Coated Steel, NEMA 3R rated

Wiring compartment has 5 knockouts sizes for 3/8 inch screw cable connectors

Enclosure Temperature does not exceed 75°C at 45°C ambient and fully loaded

Dimensions (inch): H = 8.13, W = 3.93, D = 1.59

Weight (LBs): 0.4

### Electrical Parameters

Input Voltage: **120V 60Hz**

Max. input current at full load: **1A**

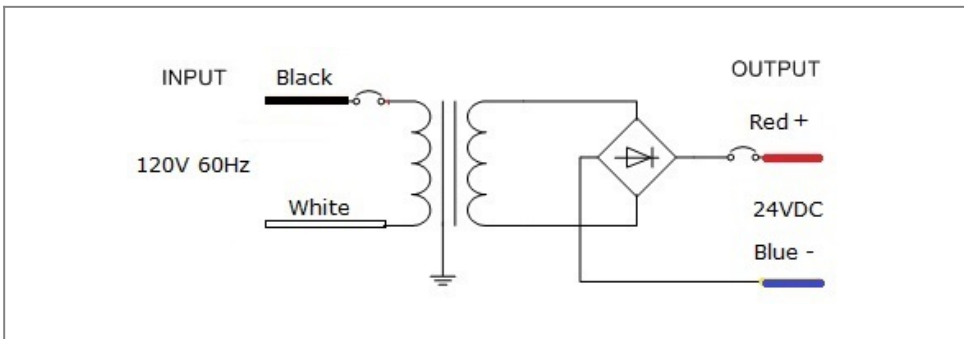
Output voltage without load: **27.2VDC**

Output voltage fully loaded: **23.5VDC**

Max. Total Wattage: **96W**

Max. Output Current: **4A**

Efficiency: **85%**



# MT100D-24VDC

## Class 2 Magnetic Dimmable

Outdoor Black Powder Coated Steel Enclosure

Single Circuit: **24VDC**

Total Wattage: **96W max**

Input Voltage: **120V 60Hz**

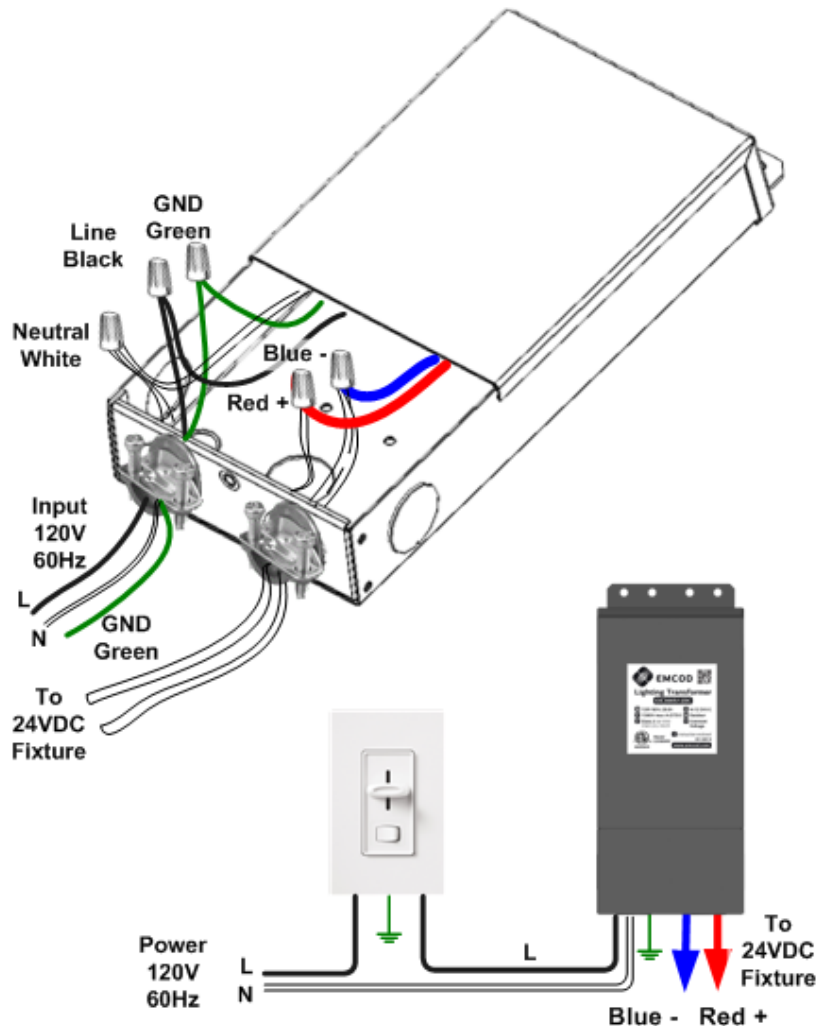


Conforms to UL STD. 1310  
Certified to CSA  
STD. C22.2 No 223  
model EM100

## Installation Instruction



- \* Read instruction completely before installation.
- \* Turn off electricity before wiring.
- \* Only qualified personal should install the unit
- \* Installation must comply with the NEC.
- \* Ensure the unit has input, output voltage and output wattage proper for your application.



### Mounting

The transformer must be mounted in at least 15" of a free flow air space for proper ventilation.

The transformer must never be mounted next to or above heat radiated objects.

The maximum ambient temperature should not exceed 50 deg. C (110 deg. F)

Attach mounting plate to the rigid vertical surface with a two screws. Hang transformer on the hook of the mounting plate vertically when installed outdoor. When mounting indoor the unit can be installed horizontally or horizontally- upside-down by using the third hole on the bottom.

### Connection

Open the wire compartment and remove knockouts for input and output, install strain reliefs (wire clamps). Use only right size and UL approved wire nuts.

#### Input Connection

Bring your line and neutral wires through input strain relief and connect them to the Black and White transformer leads.

#### Output Connection

Bring your lights wires through output strain relief and connect to the Red + and Blue - transformer leads. Make sure all your connection very tight

#### Grounding

The core and coil assemblies are grounded to the enclosure. The enclosure in turn should be grounded in accordance with NEC and local code. Connect the transformer green wire to the ground.